

## Product model

YH0108

## Product introduction

8 external SMA female antenna interface, support antenna automatic fine tuning and antenna detection; Based on Impinj R2000 read-write engine design, fully support EPC Global C1G2 v1.2, ISO18000-6C standard electronic sensor; Support RSSI function.



## Electricity characters-Limit parameters

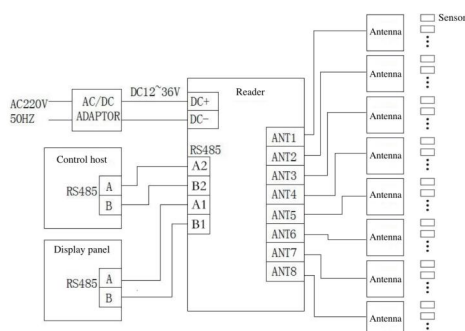
Item	Power voltage	Work temperature	Storage temperature
Symbol	VCC	36	V
Numerical value	TOPR	-20~+55	°C
Unit	TSTR	-20~+85	°C

## Electricity characters-Specification

Item	Power voltage	Work current	Work frequency
Symbol	VCC	IC	FREQ
Minimum	8		902
Typical	9	0.5	902~928
Maximum	12	1.2	928
Unit	V	A	MHz

\*Unless otherwise indicated, specification shown from TA=25°C and VCC=+9V work conditions

## Interface



## Power interface DC JACK

SN	Symbol	Description
01	DC+	Positive 9V ~ positive 36V DC power supply
02	DC-	Grounding

## TCPIP network interface RJ45

SN	Symbol	Description
01	A1	485 interface 1, phase A
02	B1	485 interface 1, phase B
03	A2	485 interface 2, phase A
04	B2	485 interface 2, phase B

## Product features

- Dimension: 200mm\*136mm\*28.2mm, exquisite small design, meet all kinds of application sites;
- Output power reaches 30dBm (adjustable);
- Low power consumption design, DC 12V ~ 36V DC power supply;
- Weight: 360g.



official account